



# T130

Series 6, Utility Tractor  
127 hp

# T130

Introducing the T130 - your ultimate power source, boasting a 127 horsepower DEUTZ engine. It redefines standards with premium features, offering higher capacity for peak performance with minimal fuel consumption, low-maintenance technology for uninterrupted production, and eco-friendly emissions.

Beyond sheer power, it's intelligence at work, fueled by technology, Smart Agricultural Management (S.A.M) uses telematics for seamless machine communication and real-time insights, enhancing efficiency and productivity. Perfect for farming and livestock management, it features an automatic PTO with lift and lower functions to maintain stability and ensure a smooth ride. With TYM, you harness the power to maximize your land's potential, because investing more yields more.

Irrespective of your agricultural journey, we stand ready to provide you with the means to unlock your land's full potential. Because when you invest more, you reap more.

The TCD 3.6 L4, DEUTZ Common Rail Engine with Bosch's advanced electronic hydraulic control system, excels in high-intensity tasks. This engine delivers exceptional power and torque at lower RPMs, promoting durability and productivity over a longer lifespan.

With 500-hour oil change intervals and a maintenance-free valve train, maintenance costs stay low, and machine uptime remains high.

## Powerful, productive DEUTZ engine



- Newly-designed, water-cooled 4-cylinder inline engine with wastegate turbo charging, cooled external exhaust gas return and charge-air cooling.
- The powerful DEUTZ Common Rail injection system and the electronic engine control (EMR4) with intelligent link to the drive management ensure optimum engine performance at low fuel consumption.
- Use of DVERT® oxidation catalytic converter (DOC) and selective catalytic reduction (SCR) enables maintenance-free operation under all application and ambient conditions.
- Best cold starting performance even under extreme conditions.
- The engines meets the Stage V and the US EPA Tier 4 exhaust emission requirements.

# Transmission

The power shuttle transmission is a feature that allows for quick and convenient direction changes without using the clutch. Here's a brief overview of how it works:

## Clutchless Direction Changes

The key feature of a power shuttle transmission is the ability to change directions (from forward to reverse and vice versa) without using the clutch. This is particularly useful for tasks like loader work or when frequently switching between forward and reverse while maneuvering in tight spaces.

## Modulated Forward/Reverse Clutch

Inside the power shuttle transmission, there is a hydraulic clutch pack that engages and disengages to switch between forward and reverse. This clutch is adjustable for its sensitivity to match operator needs and comfort.

## Forward and Reverse Gears

3 ranges of low, medium, and high with 6 speeds with a creeper gear to perfectly match your required needs. That gives you 36 forward and 36 reverse gears.

## Smooth and Efficient Operation

The power shuttle system provides smooth and efficient direction changes, making it easier for the operator to work quickly and precisely, eliminating the need to use the foot clutch to stop and reverse.

## Shuttle Lever



The shuttle lever on TYM tractors provides operators with precise control for quick and seamless directional changes needed for loader work, mowing, plowing, and more.

## GROUND SPEEDS (MPH) @ RATED ENGINE RPM

Range	L						M						H					
Gear	1	2	3	4	5	6	1	2	3	4	5	6	1	2	3	4	5	6
Normal	1.1	1.4	1.9	2.4	3.2	4.0	2.2	2.8	3.7	4.7	6.1	7.7	6.2	7.8	10.6	13.4	17.3	21.9
Creep	0.1	0.2	0.2	0.3	0.4	0.5	0.3	0.4	0.5	0.6	0.8	1.0	0.8	1.0	1.4	1.7	2.2	2.8

# Planetary Final Drives - Front and Rear:

## Durability

Planetary gear sets are robust and capable of handling high torque loads, which is essential for tractors.

## Smooth and Efficient Power Transfer

They provide smooth and efficient power transfer from the transmission to the wheels, contributing to overall drivetrain efficiency.

## Front Axle

The front axle of the T130 excels in tough conditions, offering robust load-bearing and long-lasting outboard planetary gear design and limited-slip differential. The rugged front axle features a generous 47-degree steering angle and optimized geometry for precise control, maneuverability, and reduced tire wear.

The front axle automatically disengages when the steering angle exceeds 20 degrees. At highway speeds above 10 MPH it also disengages. The push-pull dual action steering cylinder ensures precise turns, eliminating the need for a drag link.



# Designed with you in mind

Our deluxe cabin provides easy entry and exit from both side doors and a host of modern amenities to maximize operator comfort.



Experience the pinnacle of tractor cab excellence - a fully-loaded, top-of-the-line enclosure thoughtfully crafted to deliver an exceptional environment for operators during those long hours of operation. Our cab goes above and beyond, offering a suite of amenities and features that not only boost productivity but also prioritize safety and operator well-being.

**Panoramic Views:** Experience the beauty of your fields or obstacles like never before with our panoramic view cabin design. Enjoy expansive, unobstructed sightlines, allowing you to stay connected with your land and surroundings.

**Quiet Cabin:** Say goodbye to noisy distractions! Our tractor boasts a climate-controlled whisper-quiet cabin, ensuring a peaceful and focused environment as you work the fields.

**Air-ride Seat:** Your comfort matters to us. Customize your seating position in every way you can think of, providing you with the perfect ergonomic fit for long hours on the tractor.

## Sunroof

Our sunroof enhances safety and efficiency by providing an improved line of sight to both attachments and the materials being handled.



## Heating/Air Cond.

Beat the heat and maximize productivity with a climate-controlled cabin, ensuring a pleasant working environment for operators in all weather conditions.



# Premium Cab features

Introducing a range of premium cab features that redefine comfort and convenience for a superior tractor operation experience.

## 10.1-inch Touchscreen Monitor

The 10.1-inch bluetooth capable monitor allows you to easily access the control center of the tractor. This includes an extended overview of the tractor's current operating condition. In-depth monitoring pages allow you to focus on the engine output, transmission settings, and 3-Pt hitch settings, along with diagnosis alerts. Our large display is perfect for utilization of the front and rear-mounted cameras (rear is standard).



## Smartkey w/remote start and control functions

The Smartkey enables remote engine starts, hitch control, and push-button start/stop for added convenience.



## Reverse Camera

This reverse camera feature enhances visibility behind your tractor, facilitating safer and easier maneuvering in tight spaces, allows monitoring of rear implements whenever needed.



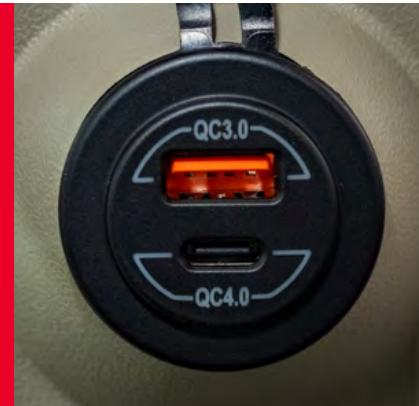
## Smart charger and insulated cup holder

The T130 has premium features, including a wireless smartphone charger and a keep-hot-or-cold cupholder, within easy reach from the operator seat.



## USB Ports

The tractor's USB ports provide seamless device connectivity and charging from the operator's seat, enhancing productivity during long days in the field.



## Air-ride Full Suspension Seat

The swivel seat allows the tractor operator to rotate the seat partially, providing a better view of the surroundings without having to strain or twist their body. The seat also adjusts for height and weight.



## Instructor's Seat

The instructor's seat offers a comfortable and adjustable spot for trainers and supervisors to join operators during tasks, which stows away when not in use.



# Operational features

These levers and controls simplify tasks like gear shifting and implement control, ensuring efficiency and ease of operation.



## 1. 3-Pt. Lift Control

Manage your tractor's implements and attachments with precise 3-point lift control.

## 4. Rear-Hydraulic Controls (3 sets standard)

Rear-remote controls enable the operator to efficiently manage hydraulic functions for rear-mounted implements or attachments.

## 2. Loader Control w/ Shift Control

Effortlessly manage loader operation included with push-button shift control.

## 5. PTO Switch

The PTO switch, positioned for easy access, allows convenient engagement and disengagement of the PTO system without manual levers.

## 3. Throttle Control Dial

The throttle control dial regulates the engine's speed.

## 6. Main Shift Controller, APS Switch and Drive Mode Dial

This lever enables clutchless shifting, toggles Auto Power Shift, and switches between Eco (low RPM) and Power Drive (high RPM).

## Creeper Gear Engagement

Creeper gear engagement t-handle makes for quick switching for low speed applications.



## Heated Rear Window

The rear window with enhanced visibility, provides clear sightlines to the rear for improved safety and precision while operating the equipment.



## Parking Brake

With a simple engagement mechanism, it provides secure parking and peace of mind.



## ElectroHydraulic Differential Lock

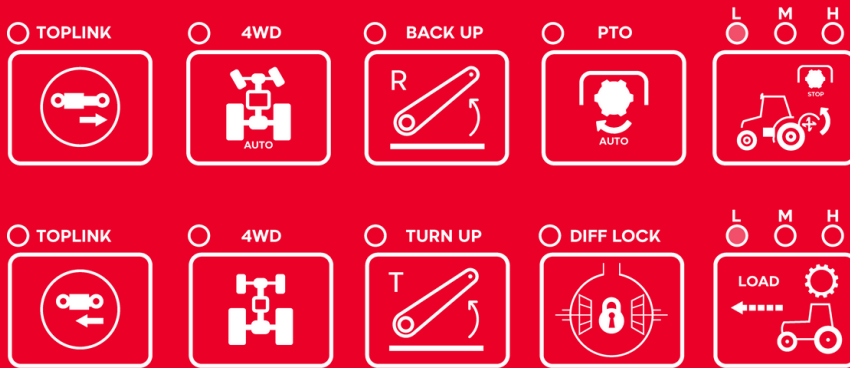
Improves your traction and maneuverability in challenging, uneven terrain.

## Auto 4WD

When engaged the 4WD function is automatically deactivated when the angle of one of the front wheels is over 20 degrees or the vehicle speed exceeds 10 MPH.

# Operational features, cont.

The controls have been carefully crafted to afford the operator the ability to finely calibrate them in accordance with their specific working conditions.

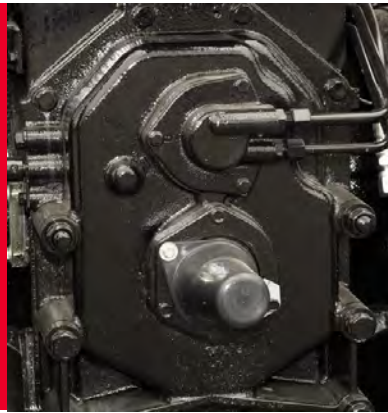


## Control Panel

- Top Link Out
- 4WD Auto
- Backup Lift
- Auto PTO
- Auto PTO Height
- Top Link In
- 4WD
- Turn Up Lift
- Differential Lock
- Shift Sensitivity

### Reversible PTO Shaft

Featuring adjustable spline counts for versatile equipment compatibility, the Reversible PTO Shaft streamlines your operation by reducing the need for multiple PTO shafts or adapters, ensuring quick and efficient transitions between various implements.



### Hydraulic Flow Valves & Auxiliary Control Valve

Hydraulic flow valves and the auxiliary control valve provide precise regulation of hydraulic fluid flow to optimize the performance of attached implements for specific tasks and conditions.



### PTO Range Lever

The PTO lever selects speed options at 540 RPM, 540E, or 1000 RPM, allowing you to choose the ideal speed for various implements, optimizing their performance.



### Throttle Controls

These controls allow you to fine-tune your tractor's throttle, ensuring optimal performance for different tasks. The other switch modulates forward and reverse sensitivity during shifting. Quickly set engine RPM's to 2200 with the push of a button.



### Organ Pedal

The organ-style pedal, eases strain on the ankles so that the pedal can be pushed with less effort and give more accurate control to the operator.



### Flow Control for Remote Valves

Flow control allows variable flow rate to the rear remote valve, permitting the regulation of hydraulic motor speeds.



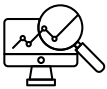
# Telematics

Telematics come standard on T130, enabling farmers and operators to monitor and manage tracking location, optimizing fuel usage, alerting maintenance needs, and enhancing security. TYM's S.A.M (Smart Agriculture Management) technology boosts efficiency, cuts costs, increases productivity, and informs data-driven decisions for individual tractors and entire agricultural equipment fleets.



## Tracking

- Live Location
- Geo-Fencing
- Tracking History
- Real-time Location
- Anti-Theft
- Tracking Route



## Monitoring

- On-Board Data  
Battery voltage, fuel gauge, DEF level, coolant temp, Air-cleaner clogging, neutral(N), transmission oil temp, parking brake, PTO
- Maintenance Information  
Breakdown & maintenance history, consumable history (usage time, replacement)



## Management

- Work Report for Machine Performance  
Location / Route / Working Area / Hours / Distance / Fuel consumption / Average fuel efficiency / Daily, Monthly, Yearly Work Statistic



## Notification

- Security Information  
Tractor roll-over  
Emergency SOS (SNS Message)
- Error Information  
Failure notification (Send error code)



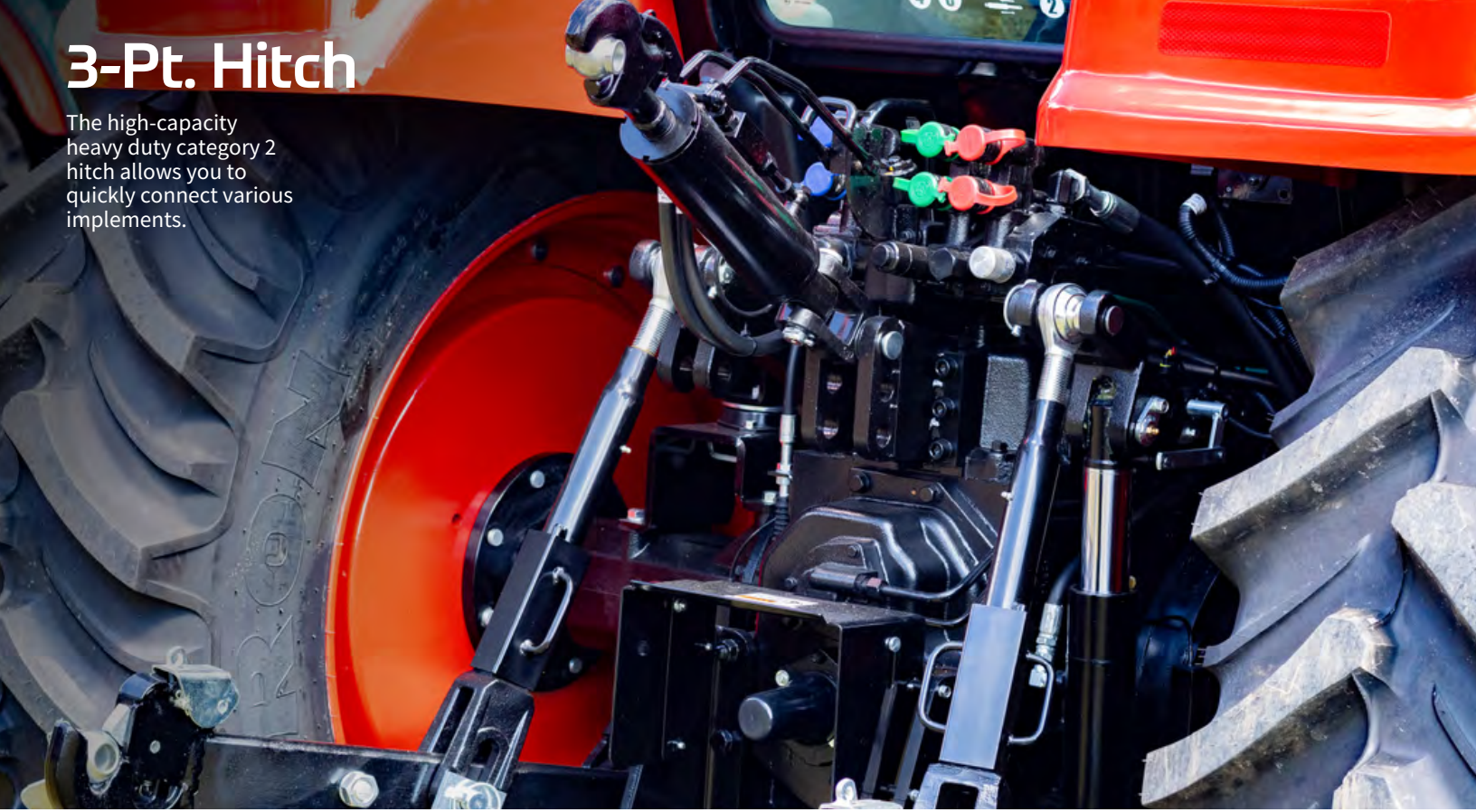
## Remote Control

- Start & Stop  
Remote starting On/Off



# 3-Pt. Hitch

The high-capacity heavy duty category 2 hitch allows you to quickly connect various implements.



## Independent PTO

Experience the Independent Power Take-Off (PTO) system, granting operators precise control over PTO functions. This enables you to engage and disengage the PTO without impacting the tractor's primary drive, ensuring you can operate a variety of implements while retaining full control.

## High Capacity 3-Pt. Hitch

Equipped with a high lift capacity 3-Pt. hitch, designed to handle heavy loads up to 8,250 lbs. and a variety of implements, ensuring secure attachment and optimal performance for your agricultural tools.

## Floating Lift Rods

Floating lift rods offer precise control and adaptability when connecting implements. This innovative system adjusts to varying ground contours, ensuring even weight distribution and improved implement performance.

## Quick Implement Hookup

Designed with a quick implement hookup system to streamline the attachment process, you can connect and disconnect implements swiftly and easily, saving you valuable time and effort.

## Trailer Coupler (7-Pin)

This standardized and versatile connection enables you to efficiently power and control your trailer's lights, brakes, and other essential functions.

## Drawbar Bracket

The drawbar bracket on TYM tractors provides a reliable and sturdy attachment point for towing and hauling. This essential component ensures secure and efficient towing of various implements and trailers.

## Left-side Rear Fender Controls

### Telescopic Top Link

Featuring adjustable length, the telescopic top link guarantees an ideal fit for diverse implements, enhancing both performance and precision.



## Right-side Rear Fender Controls

### Lift Arm Hitch Height Control

Fender-mounted buttons on each side aid in attaching and detaching rear implements.



# TL130SL Front-End Loader

The TL130SL is a self-leveling front loader. Engineered to lift higher and lift heavier materials, the TYM TL130SL is optimized for superior material handling.



## Quick Attach

This universal skid-steer mount simplifies the process of connecting and utilizing a wide variety of implements and attachments, enhancing the tractor's versatility for a wide range of tasks.



## Front Loader Joystick

This ergonomic joystick simplifies the lifting, lowering, and tilting of front-mounted attachments, ensuring you can efficiently handle materials and complete tasks with ease.



## 3rd Function

This hydraulic control valve allows a wide range of implements that can be utilized on the front-end loader, such as grapples and hay handling equipment. The 3rd function control is already installed for utilization on the loader joystick (right side).



## Accumulator

Offering a safeguard against hydraulic pressure fluctuations, this feature guarantees a smoother and more controlled operation.



# TL130SL Self-Leveling Front-End Loader

## DIMENSIONS & WEIGHTS

Loader Total Weight (1+2+3)	2,713.9 lb.
Weight of Boom & Quick Attach	1,477.1 lb.
Weight of Mounting Frame	776.0 lb.
Weight of Bucket	460.8 lb.
Lift Capacity to maximum height at Pivot Pin	5,414.6 lb
Breakout Force at Ground Level Pivot Pin	6,618.3 lb
Bucket rollback force at ground line	6,856.4 lb.
Relief Valve Setting (Loader Control Valve)	2,986.9 lb
Lift Cylinder	3.1x1.8 in.
Bucket cylinder	3.0x1.6 in.
Attachment used for specification	91.7 in.
Bucket capacity	16.6 cu. ft.

## CYCLE TIMES

Boom raising time	5.3 sec
Boom lowering time	3.6 sec
Bucket rollback time	2.4 sec
Bucket dumping time	3.3 sec

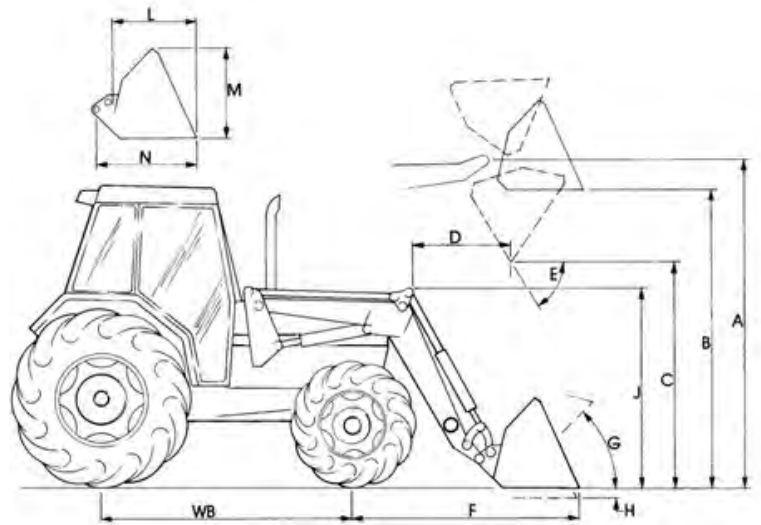
## COMPATIBLE BUCKET SIZES

TYM's multi-purpose buckets are capable of bulldozing, scraping, loading, metering, moving, and clamping material.



## CAPACITIES & REACH

A. Maximum lift height to pivot pin	159.6 in.
B. Max. lift height under level bucket	150.1 in.
C. Clearance with bucket dumped	124.1 in.
D. Reach at maximum lift height	20.6 in.
E. Max dump angle	65°
F. Reach with bucket on ground	97.2 in.
G. Max. rollback angle	47.9°
H. Digging depth	6.7 in.
J. Overall height in carry position	85.7 in.
L. Depth of Attachment (to back of inner shell)	25.1 in.
M. Height of Attachment	24.1 in.
N. Length of Attachment (to pivot pin)	34.9 in.



# T130 Technical Specifications

ENGINE		HYDRAULIC SYSTEM	
Engine manufacturer	DEUTZ TCD3.6L4	Pump type	Dual Gear Pump
Type	Water-cooled, 4-cylinder diesel engine	Implement flow	20.1 gpm   76.2 l/min
Gross engine power	127 hp   95 kW	Steering flow	9.1 gpm   34.4 l/min
Max. PTO	118 hp   87 kW	Total flow	29.2 gpm   110.6 l/min
Rated engine speed	2200 rpm	Category, 3-point hitch	II
No. of cylinders	4	Hitch lift capacity	8261 lb   3747 kg
Displacement	220.96 cu. in.   3621 cc	Hitch lift capacity at 24 inches	8014 lb   3635 kg
Air Cleaner	Dual Dry	Lift control type	Position/Draft
Alternator	12V, 120A	No. of standard remote valves	6 port
Fuel System	CRDI	DIMENSIONS & WEIGHTS	
POWERTRAIN		Overall length with 3-point hitch	176.77 in.   4490 mm
Transmission type	Power Shuttle/6-Speed Shift	Overall width	92.91 in.   2360 mm
No. of speeds	F36xR36	Wheelbase	101.96 in.   2590 mm
Max. traveling speed	23.05 mph   37.4 km/h	Height to top of ROPS	115.74 in.   2940 mm
Brakes	Wet Disc	Min. ground clearance	16.14 in.   410 mm
Steering	Hydrostatic	Min. turn radius with brakes	165.7 in.   4210 mm
Clutch	Wet Multi Type	Min. turn radius without brakes	186.6 in.   4740 mm
CAPACITIES		Weight with cab	10,020 lb   4545 kg
Fuel tank	50.19 gal   190 L	STANDARD TIRES	
Coolant	19.1 qt   18.1 L	Agricultural - Front	380/85 R 28
Crankcase	8.5 qt   8 L	Agricultural - Rear	460/85 R 38
Transmission/Hydraulics system	26.9 gal   102 L		
Front axle	1.9 gal   7.2 L		
PTO			
PTO type	Independent		
PTO control	Electro-hydraulic		
PTO rear	540/540E/1000rpm		

## Designed for your world

TYM creates tractors that bring together alluring form, advanced function and accessible value. Through Korean expertise in design, engineering and manufacturing, the company helps owners overcome every obstacle as they shape the world around them.

Headquartered in Korea with distribution across North America, Europe, and Asia, and assembly operations in the USA, TYM has been empowering customers for over 70 years.

[www.tym.world](http://www.tym.world)

